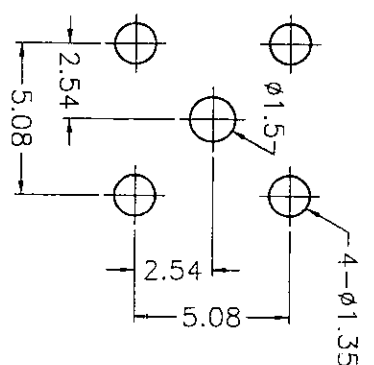
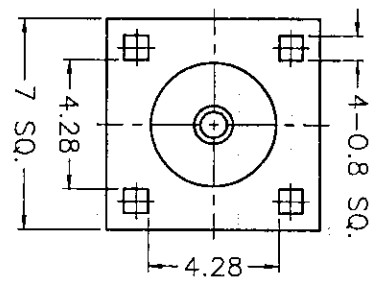
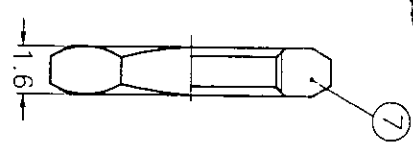
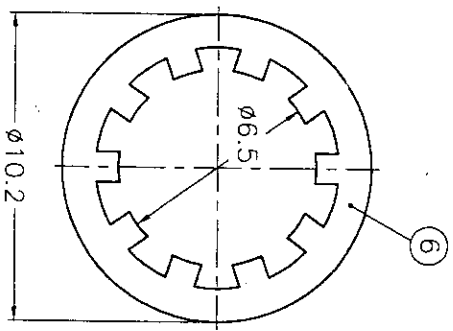
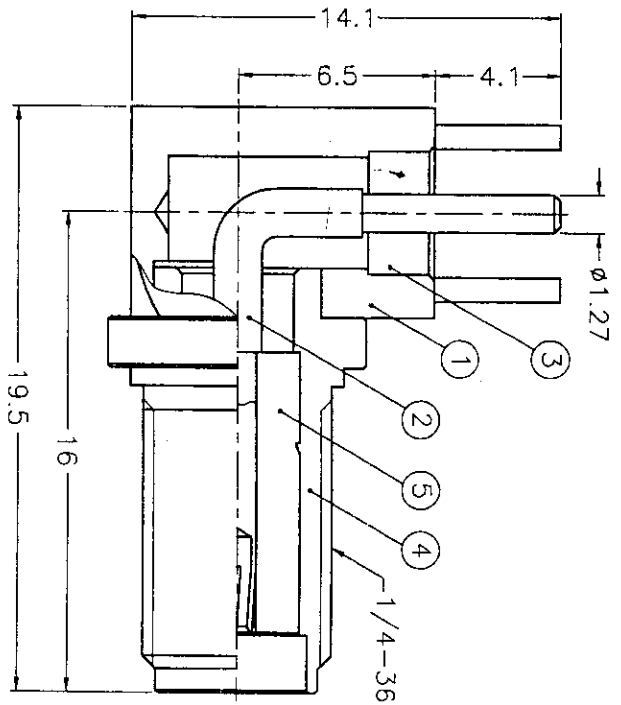


ISS	ZONE	DESCRIPTION\PER REQUEST\DATE
-----	------	------------------------------

REVSIONS



PCB MOUNTING HOLES  
(印刷电路板架設孔)



- NOTES: FINISH (PLATING THICKNESS IN MICRO-INCHES)
1. BRASS PER QQ-B-626
  2. BRASS PER QQ-B-613
  3. GOLD PL. 3 MIN. THICK OVER NICKEL PL. 100 MIN. THICK OVER COPPER STRIKE
  4. BERYLLIUM COPPER PER QQ-C-530
  5. GOLD PL. 50 MIN. THICK OVER NICKEL PL. 100 MIN. THICK OVER COPPER STRIKE
  6. TEFLON MIL-P-19468

NO.	DESCRIPTION	MATERIAL	FINISH	QTY	DRAWING NO.
1	CONTACT FIN HOUSING	NOTE 4 NOTE 1	NOTE 5 NOTE 3	1	CP11AAU024 HS00AJ01A
2	INSULATOR	NOTE 6	NATURAL	1	SMA6252A1-001
3	LOCK WASHER	NOTE 2	NOTE 3	1	LW-102/65X05
4	HEX NUT	NOTE 1	NOTE 3	1	HNB-1/4-36X16
5	INSULATOR	NOTE 6	NATURAL	1	13Z203-2
6	INSULATOR	NOTE 1	NOTE 3	1	BD11AHW01A
7	INSULATOR	NOTE 6	NATURAL	1	SMA6252A1-001

DIMENSIONS ARE IN MILLIMETERS  
UNLESS OTHERWISE SPECIFIED

TOLERANCES

0.5-6 = ±0.2

6-30 = ±0.4

30-120 = ±0.6

120-315 = ±1

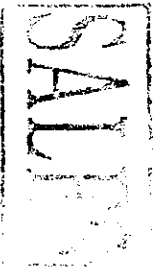
315-1000 = ±1.6

1000-2000 = ±2.4

SCALE 4/1 ISSUE A

APPROVED	CHECKED	DRAWN	DATE
<i>[Signature]</i>	<i>[Signature]</i>	<i>[Signature]</i>	04-22-02
DATE	DATE	DATE	DATE
04-22-02	04-22-02	04-22-02	04-22-02

PART NO.	FILE NO.	ITEM NO.
	DWG: SMA 6252A2 005\50\3GT50G	116252AAP60GAS5F
<p><b>Amphenol - Kai Jack</b> TAINAN TAIWAN</p>		
TITLE	DRAWING NO.	
SMA R/A PCB JACK	KJ-SMA6252A2-005-3GT50G-50	



7 PD-DR/143/148